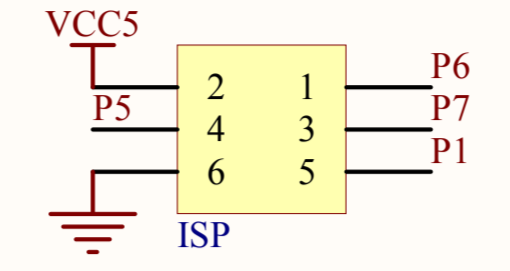
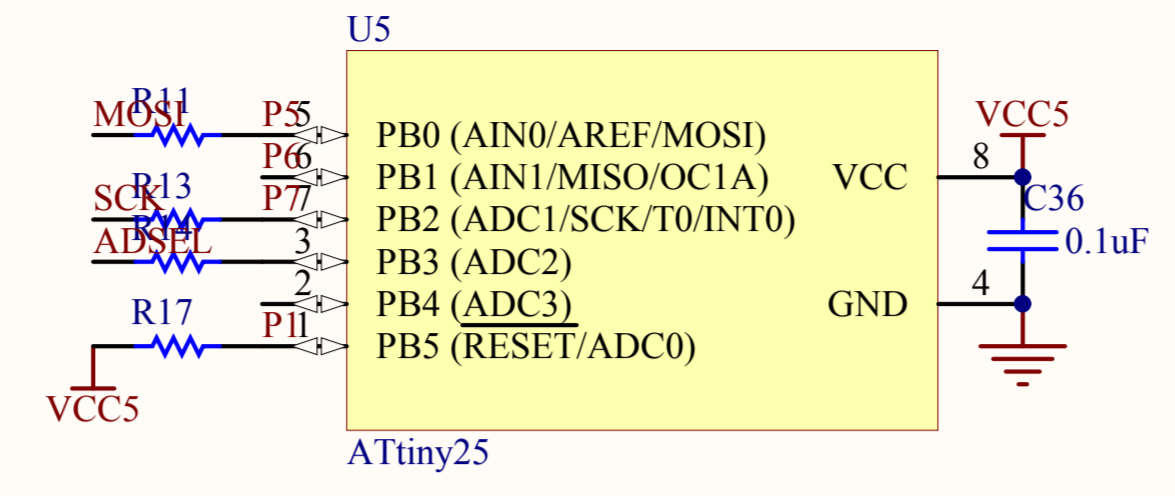
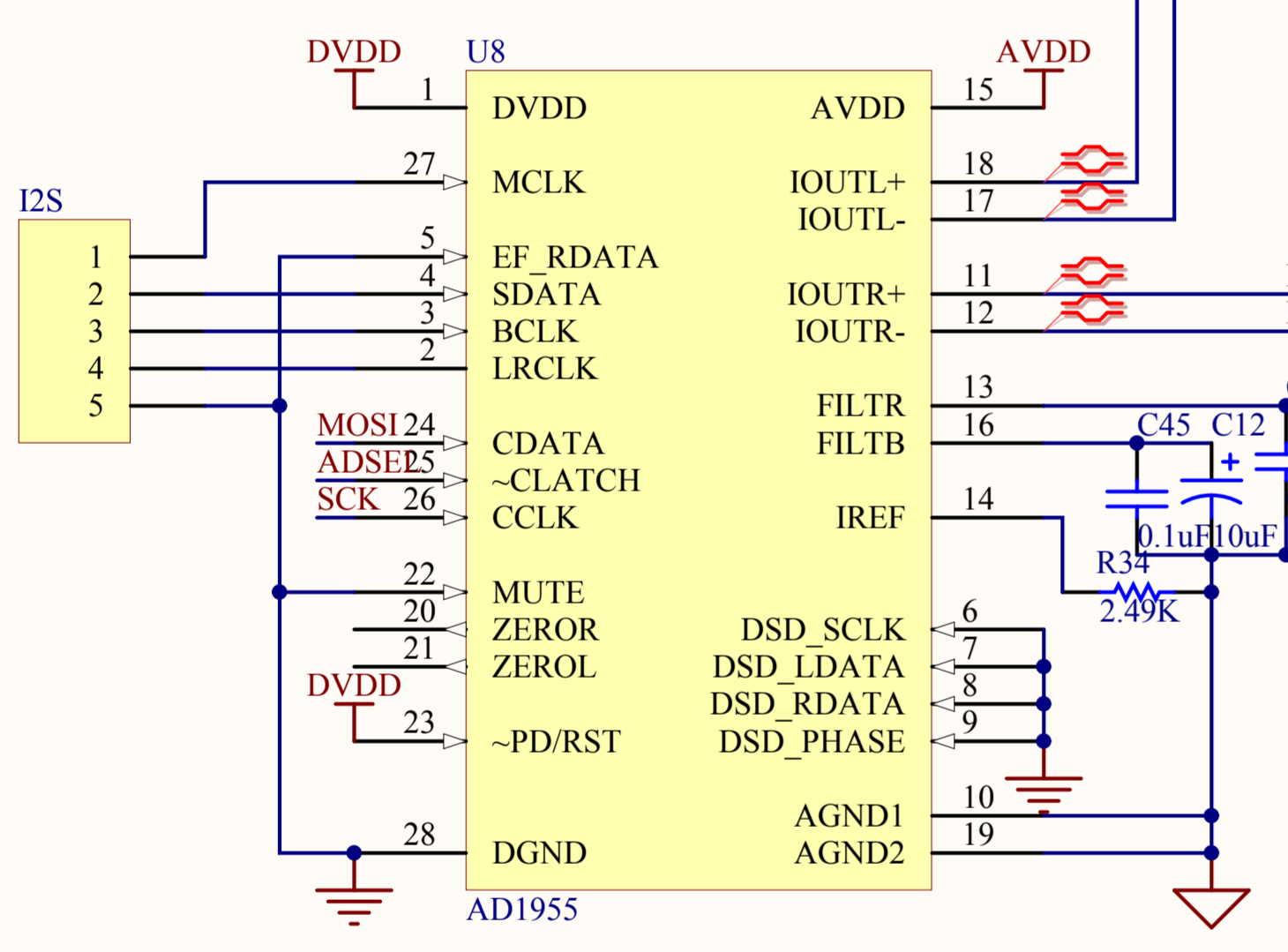
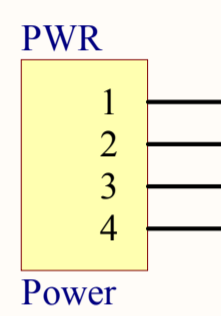
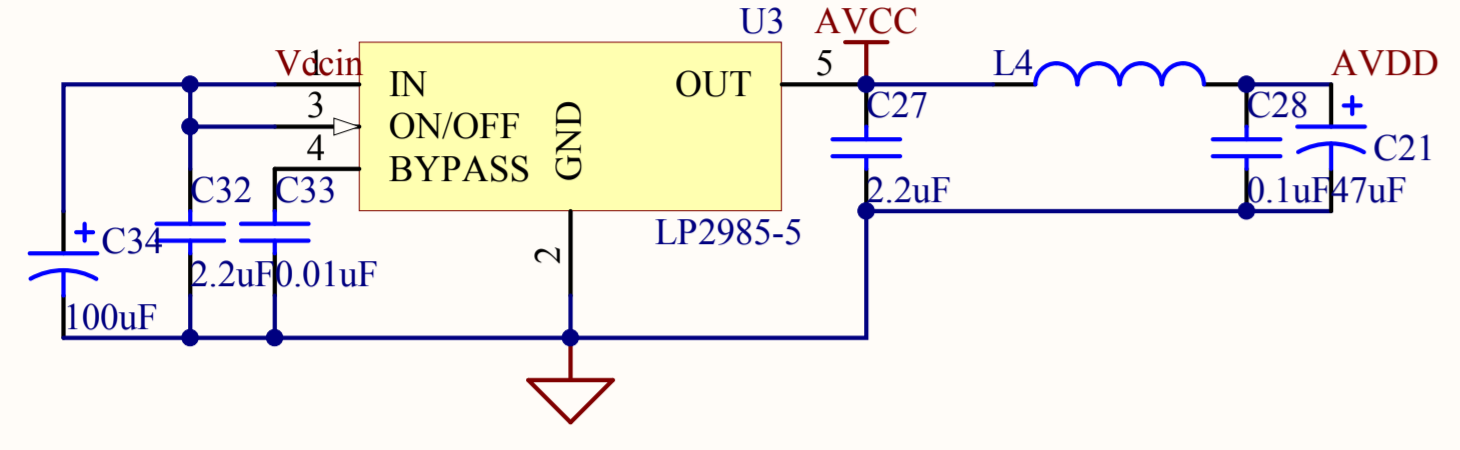
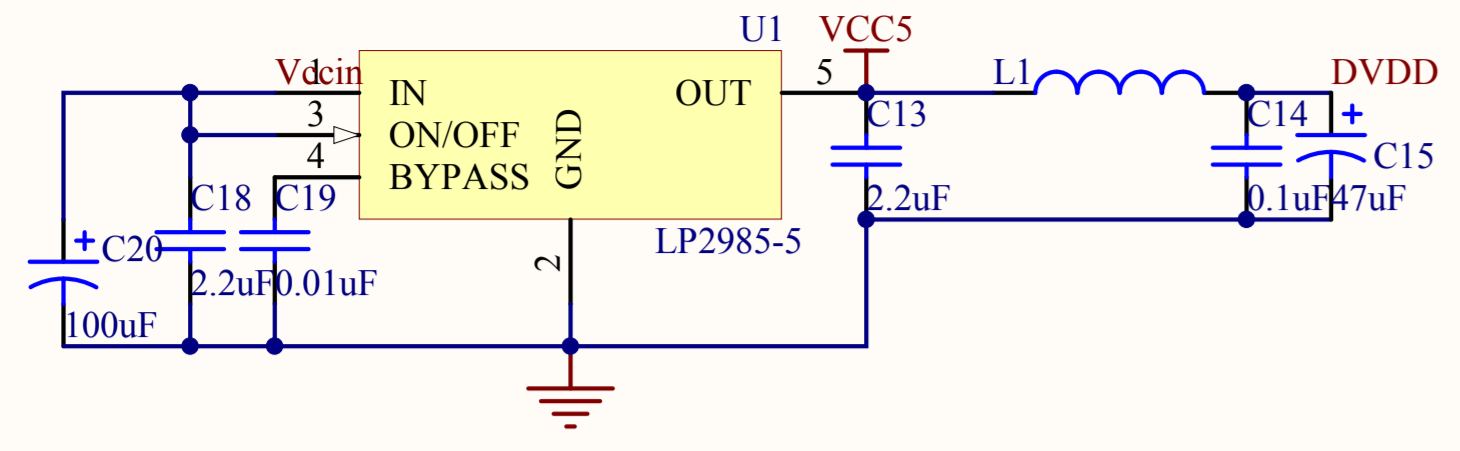
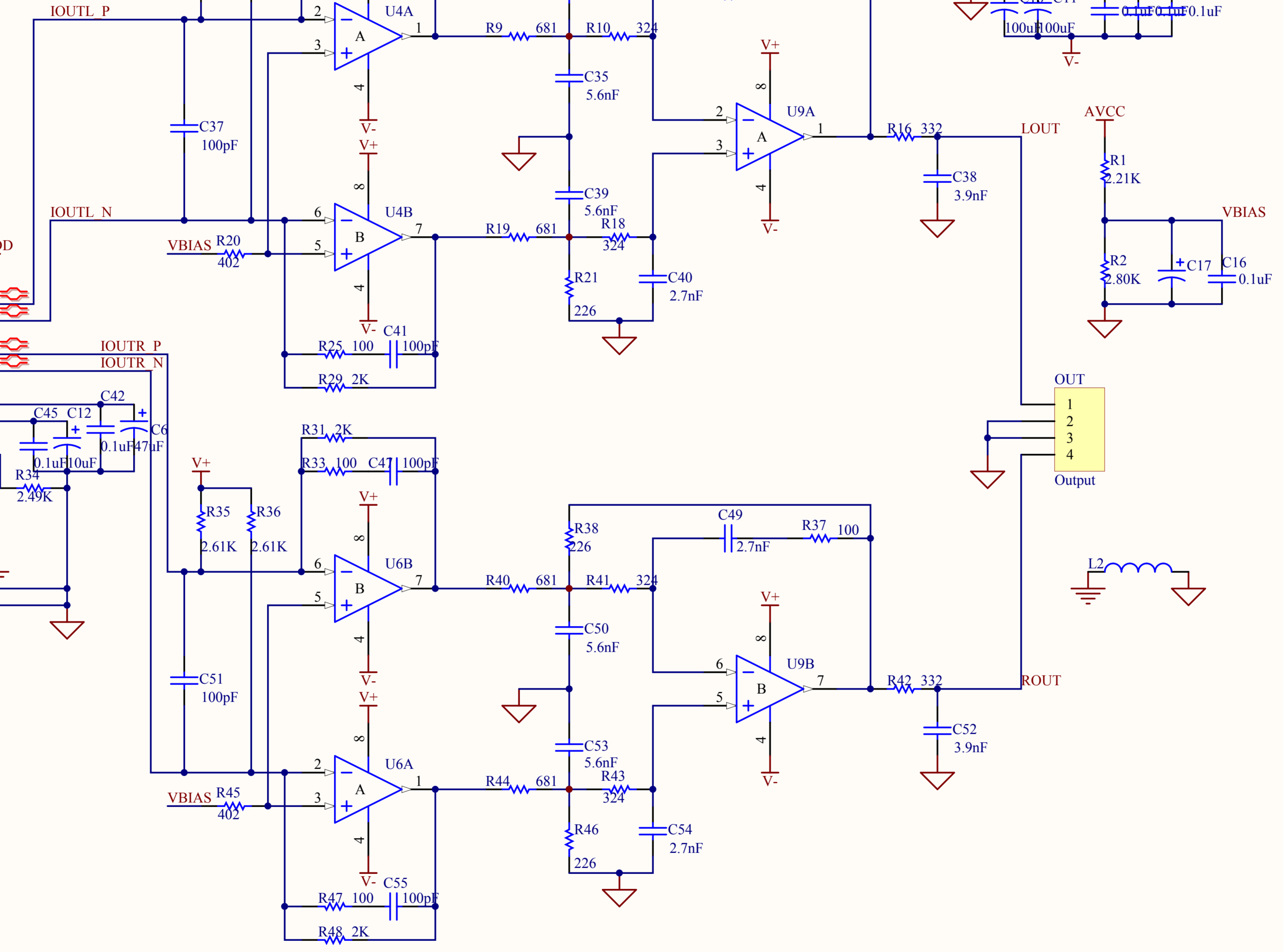


MiniDAC v1.0



Bias resistors tuned for 15v supply



Title		
Size	Number	Revision
Date:	6/16/2008	Sheet of
File:	y:\My Documents\...minidac.SchDoc	Drawn By: