

MiniUSB v1.0

GND LRCK BCK DO MCK

PWR

FUNC
S/P12S

SSPND
MD
MC
MS
FUNC3

I2S

R13 C10 R12 X1

C8 C5

GND C6 C1 C7

R9 R5

R7 R10

USB

R11

R4

R3

R2

R1

U3

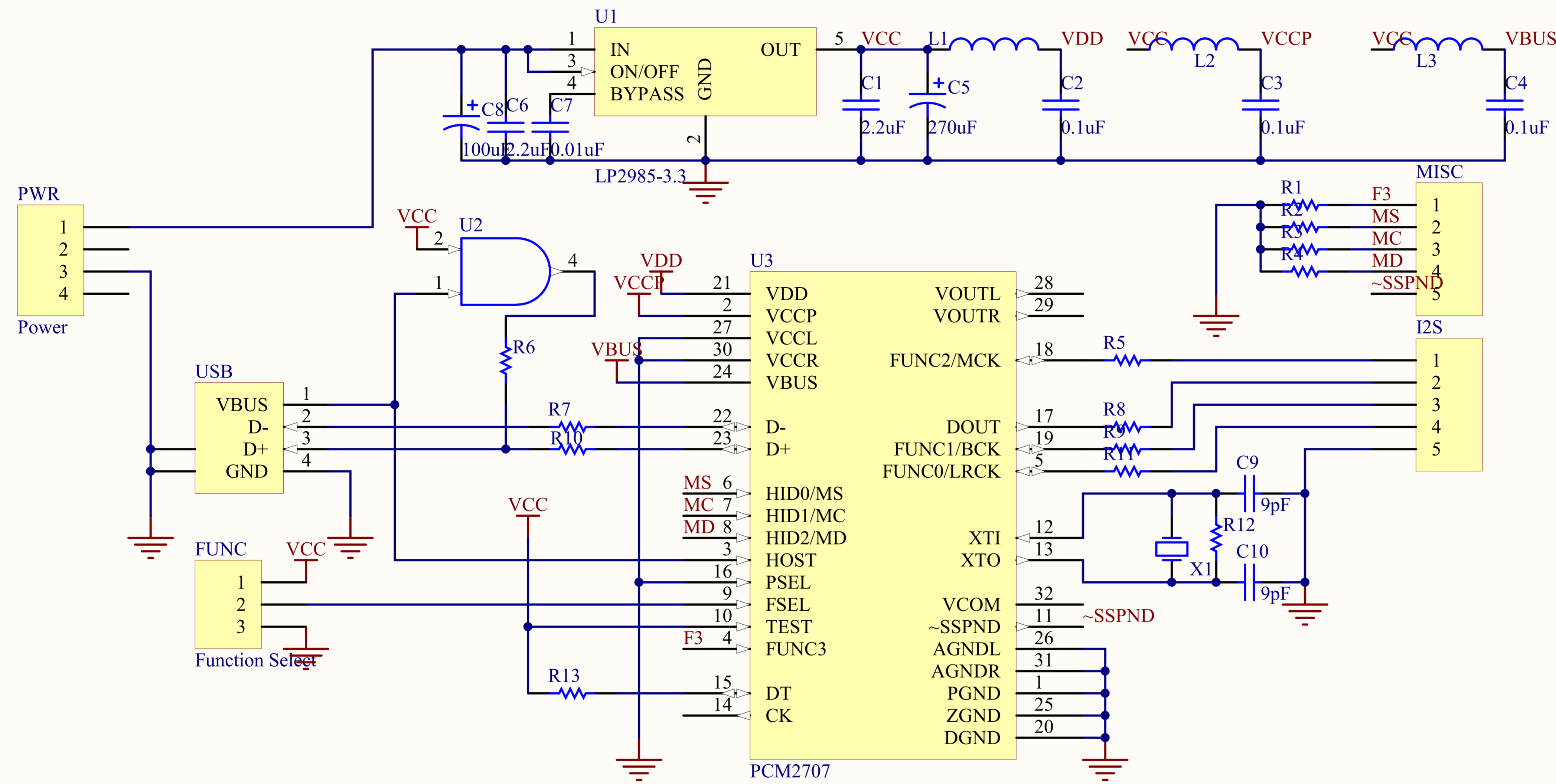
C3

C1

C2

C4

C9



Title		
Size	Number	Revision
A		
Date:	6/16/2008	Sheet of
File:	y:\My Documents\..\miniusb.SchDoc	Drawn By: